



HYDRAULIC ROCK BREAKER

# SD42



**NEW** KEY ASSET  
FOR ALL JOBSITES

DESIGNED FOR  
5 TO 12 TON CARRIERS

POWERFUL,  
SAFE AND COMPACT

LANDSCAPING, DEMOLITION,  
TRENCHING, CIVIL ENGINEERING,  
INSIDE AND OUTSIDE:  
VERSATILE AND EFFICIENT

## BENEFITS

- **Hydraulic accumulator:** no more regular nitrogen controls and recharges on jobsites.
- **Tie rod free:** less weight and cost, more power and reliability.
- **Made in France:** superior quality steel and manufacturing excellence.
- **Improved soundproofing :** lower noise levels for urban jobsites.
- **Easy handling:** two lifting points to handle the breaker with perfect balance and safety, also acting as hoses protection.
- **Tool changing:** new user friendly, simple, safe and reliable system, with one single retainer.



**NEW KEY ASSET  
FOR ALL JOBSITES**

**WEIGHT & DIMENSIONS**

**WEIGHT (KG / LB)**

BREAKER	331	761
+ MOUNTED TOOL	365	836
+ MOUNTED ADAPTER PLATE (MIN - MAX)	417 - 456	904 - 1,005

**DIMENSIONS (MM / IN)**

A	1,494	59
B	442	17
C	556	22
D	1,059	42
E	270	11
F	295	12
G	48	2

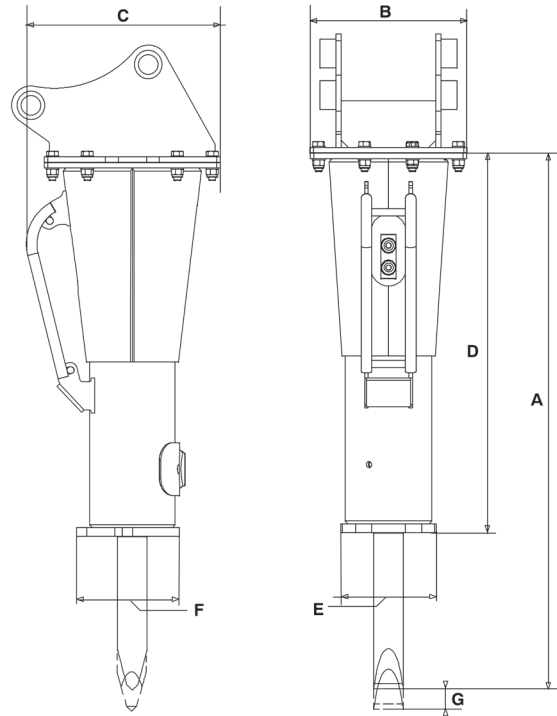
**OPERATING INFORMATION**

CARRIER WEIGHT RANGE (MIN-MAX, T)	5 - 12	
OIL FLOW (MIN-MAX, L/MIN / GPM)	70 - 120	18.5 - 32
MAXIMUM OPERATING PRESSURE (BAR / PSI)	125	1,815
MAXIMUM BACK PRESSURE (BAR / PSI)	20	290
INPUT POWER (KW)	25	
STRIKING FREQUENCY (MIN-MAX, BPM)	700 - 1,440	
GUARANTEED NOISE LEVEL (DB LWA)	123	
SOUNDPROOFING	standard	
HOSE PROTECTION	standard	

**MAINTENANCE KITS**

**CPN**

LEVEL 1	101112797
LEVEL 2	101112798
LEVEL 3 (+2 WARRANTY YEARS*)	101112799



**CONSUMABLES**

**CPN**

GREASE CARTRIDGES (X48)

86799152

**OPTIONS**

**CPN**

ADAPTER PLATE

upon request

SPECIAL PAINTING

upon request

**TOOLS**

DIAMETER (MM / IN)	84 / 3.3	84 / 3.3	84 / 3.3
LENGTH (MM / IN)	785 / 31	785 / 31	785 / 31
WEIGHT (KG / LB)	32 / 71	32 / 71	34 / 75
CPN	86665338	86665361	86685047



The content of this brochure constitutes non-binding information and may be changed at any time without notice. Montabert gives, and the brochure contains, no warranties whatsoever, express or implied. All the contents, including but not limited to text, images, graphics are all subject to copyright and all intellectual property protection. Their use or misuse is strictly prohibited. Montabert brand and logo used herein are the property of Montabert. Nothing contained on this document shall be construed as constituting any commitment by Montabert or as granting any license or right to use any intellectual property. ©2021 Montabert. All rights reserved.

montabert.com

\*see warranty conditions

